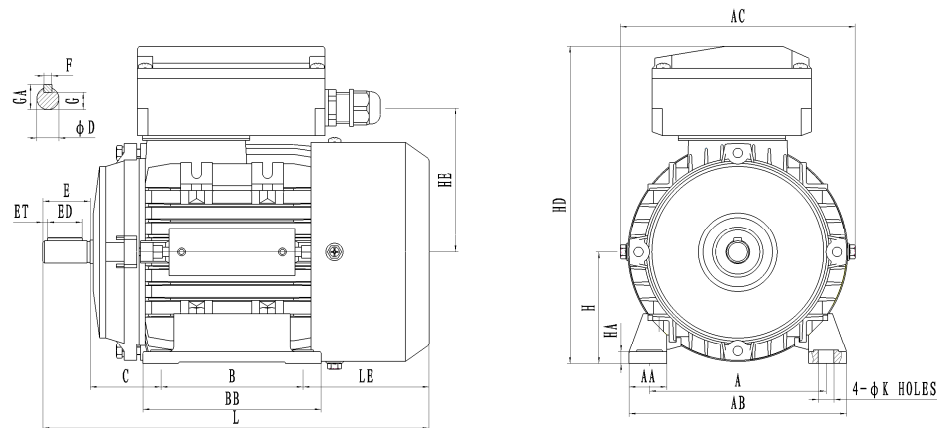


Totally Enclosed Fan Cooled Type, Squirrel Cage Rotor



Dimension in mm

MV B3

Output (HP)			FRAME SIZE	FIG. No.	A	AA	AB	AC	B	BB	C	H	HA	HD	HE	K
2P	4P	6P														
0.12	0.08	—	D56	1	90	20	110	120	71	89	36	56	6.5	173	78	5.8
0.16	0.12	—	D63		100	22	122	130	80	108	40	63	8	184	82	7
0.25	0.16	—	D71		112	24	138	145	90	113	45	71	10	202	92	7
0.34	0.25	—	D80		125	27	159	158	100	122	50	80	10	222	107	10
0.5	0.34	0.25	D90S		140	35	175	185	100	155	56	90	14	238	112	10
0.75	0.5	0.34	D90L		140	35	175	185	125	155	56	90	14	238	112	10
1	0.75	0.5	D100L		160	43	205	203	140	176	63	100	15	263	123	12
1.5	1	0.75														

FRAME SIZE	FIG. No.	L	LE	SHAFT EXTENSION							BEARING		APPROX. WEIGHT KGS.
				D	E	ED	ET	F	G	GA	DRIVE END	OPPOSITE DRIVE END	
D56	1	195	67	9	20	12	3	3	7.2	10.2	6201ZZ	6201ZZ	3
D63		213	70	11	23	16	3	4	8.5	12.5	6201ZZ	6201ZZ	4.7
D71		245	80	14	30	22	3	5	11	16	6202ZZ	6202ZZ	7
D80		285	97	19	40	32	3	6	15.5	21.5	6204ZZ	6204ZZ	11.6
D90S		324	117	24	50	40	5	8	20	27	6205ZZ	6204ZZ	15
D90L		324	92	24	50	40	5	8	20	27	6205ZZ	6204ZZ	17.1
D100L		375	112	28	60	50	5	8	24	31	6206ZZ	6206ZZ	23

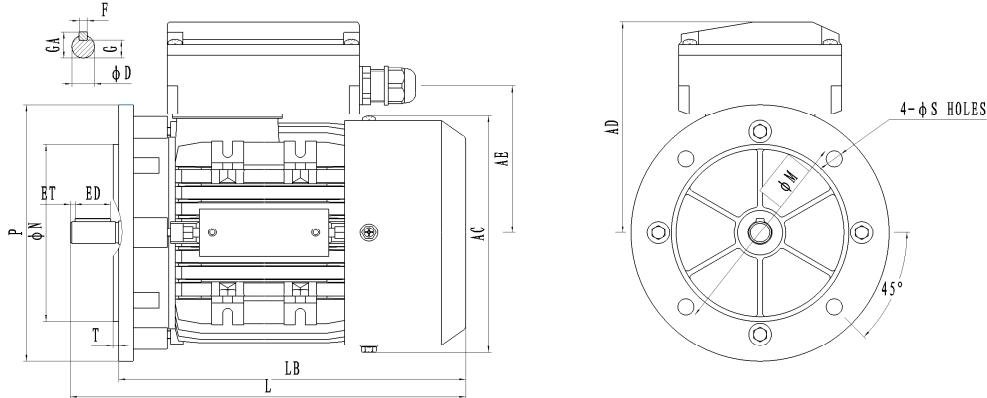
Note :

1. Tolerance of shaft end diameter D : Under $\phi 19 \sim \phi 28$: j6, $\phi 38$: k6.
2. Tolerance of shaft center high H : +0 , -0.5 .

APPD.	C.C.Lin	22-Jan-09		DWG NO.
CHKD.	James Lin	19-Jan-09		
DWN.	C.H.Hsu	15-Jan-09		REV. 00

ISSUED 16-Jan-09	OUTLINE DIMENSIONS SHEET	MODEL BEMY
REVISED		ALUMINIUM FRAME 1-PHASE CAPACITOR RUN MOTORS FRAME NOS. 63 ~ 132M

Totally Enclosed Fan Cooled Type, Squirrel Cage Rotor



Dimension in mm

MY B5

Output (HP)			FRAME SIZE	FIG. No.	AC	AD	AE	L	LA	LB	M	N	P	S	T
2P	4P	6P													
0.12 0.16	0.08 0.12	—	D56	1	120	117	78	195	8	175	100	80	120	7	3
0.25 0.34	0.16 0.25	—	D63		130	121	82	213	9	190	115	95	140	10	3
0.5 0.75	0.34 0.5	0.25 0.34	D71		145	131	92	245	9	215	130	110	160	10	3.5
1 1.5	0.75 1	0.5 0.75	D80		168	143	107	285	10	245	165	130	200	12	3.5
2	1.5	1	D90S		185	148	112	324	12	274	165	130	200	12	3.5
3	2	1.5	D90L		185	148	112	324	12	274	165	130	200	12	3.5
4	3 4	2	D100L		203	163	123	375	14	315	215	180	250	15	4.0

FRAME SIZE	FIG. No.	SHAFT EXTENSION							BEARING		APPROX. WEIGHT KGS.
		D	E	ED	ET	F	G	GA	DRIVE END	OPPOSITE DRIVE END	
D56	1	9	20	12	3	3	7.2	10.2	6201ZZ	6201ZZ	3
D63		11	23	16	3	4	8.5	12.5	6201ZZ	6201ZZ	4.7
D71		14	30	22	3	5	11	16	6202ZZ	6202ZZ	7
D80		19	40	32	3	6	15.5	21.5	6204ZZ	6204ZZ	11.6
D90S		24	50	40	5	8	20	27	6205ZZ	6204ZZ	15
D90L		24	50	40	5	8	20	27	6205ZZ	6204ZZ	17.1
D100L		28	60	50	5	8	24	31	6206ZZ	6206ZZ	23

- Note :**
1. Tolerance of shaft end diameter D : Under $\phi 19 \sim \phi 28$: j6, $\phi 38$: k6.
 2. Tolerance of shaft center high H : +0, -0.5 .

APPD.	C.C.Lin	22-Jan-09		DWG NO.
CHKD.	James Lin	19-Jan-09		REV. 00
DWN.	C.H.Hsu	15-Jan-09		