

INVERTER



E2 Series





INVERTER

E2 Series

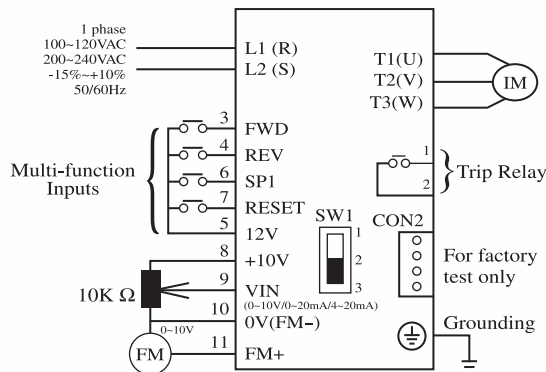


Feature

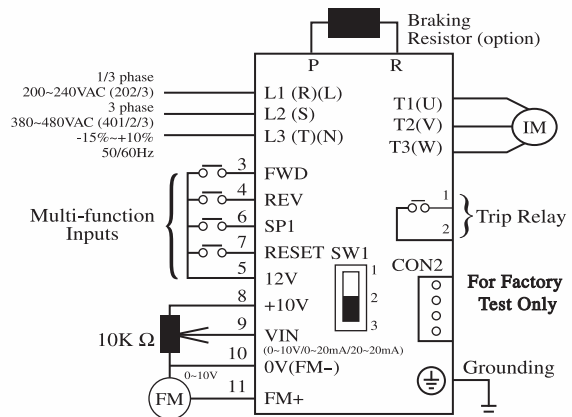
- Easy for Operation
- Cost efficiency
- EMI Filter Built-in
- 16kHz Carrier Freq.
- DIN Rail mounting option
- IP20, IP65(NEMA4) Enclosure

Interconnection

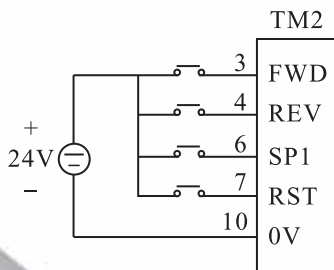
JNE2-1P2/1P5/101/2P2/2P5/201 Inverter



JNE2-202/203/401/402/403 Inverter



External DC24V wiring diagram



Ordering numbers

JNE2	2	P5	H	1	F	N4
Series	Input Voltage	Capacity	Specification	Phase of input power	Filter option	Enclosure
E2 Series	1 : 110VAC 2 : 220VAC 4 : 440VAC	P2 : 0.25HP P5 : 0.5HP 01 : 1Hp 02 : 2Hp 03 : 3Hp	H : Advanced type (CPU Version 1.9 or above)	Blank : 1/3 phase 1 : 1 phase 3 : 3 phase	Blank : without filter F : with filter	Blank : IP20 N4 : IP65 (NEMA4) Without switch N4S : IP65 (NEMA4) With switch